

PFW-L-1D 500

Pneumatic winch PFW-L-Series

For pneumatic winch applications, demanding a modular and solid design, this range of explosion proof winches provides the solution.

The use of vane type motors and spring applied pneumatic disc brakes ensures trouble free operation and low maintenance requirements.

These winches find their use in general industry, oil and gas exploration and in many places where compact, explosion proof hoisting gear is required. Because of the modular design of the PFW winch also the pneumatic version can be delivered with advantageous delivery times.

Faster rope speeds are available upon request.

Standard features

- High efficiency spur gear box
- Rotary vane motor with pneumatic fail-safe disc brake
- Steel drum (not grooved) with rope fixing point at flange
- Two drum supports
- Double layer 2 component coating, colour RAL 5010

Available options

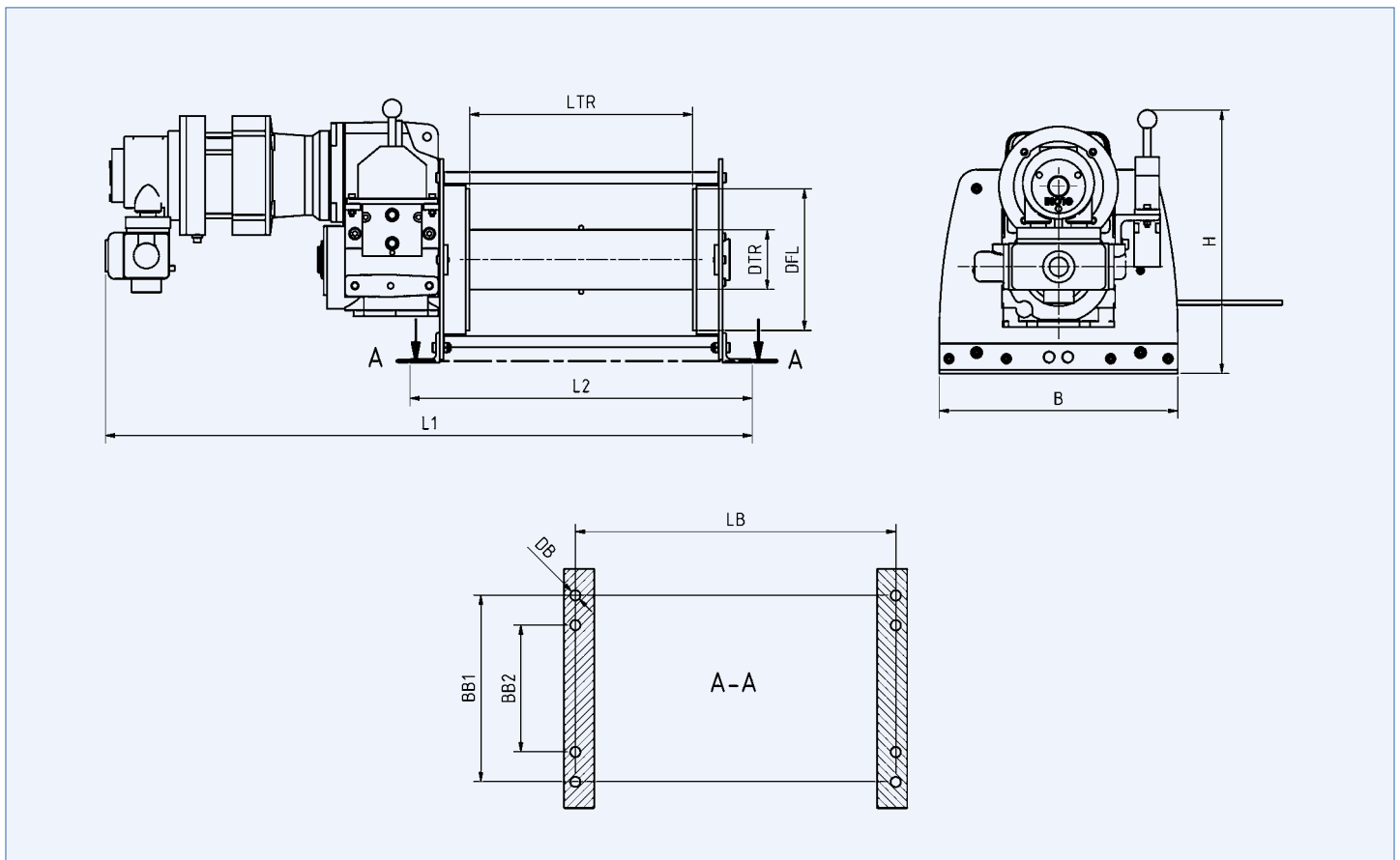
- Manual disengaging clutch
- Grooved drum
- Drum pressure roller
- Alternative speeds
- Alternative drum dimensions / split drums / additional rope anchors / etc.
- Drum guard
- Marine / offshore coating systems
- Proportional control valve, local or remote
- Pneumatic limit switch
- Pneumatic slack wire switch

Classification

 II 2 GD c T4 135°C

TYPE	PFW-L-1D	500	750	1000	1500	2000	3000
Lifting capacity in 1st rope layer	kg	500	750	1000	1500	2000	3000
Lifting capacity in 5th rope layer	kg	320	480	640	950	1270	1920
Rope diameter	mm	6	7	8	10	12	14
Rope length in 1st rope layer	m	11	11	10	10	9	9
Rope length in 5th rope layer	m	75	75	75	75	75	75
Expansion every 100 mm extended drum 1st/5th layer	approx. m	4/25	4/25	4/25	4/25	4/25	4/25
Rope speed in 1st rope layer	approx. m/min	9	10	8	12	8	5
Rope speed in 5th rope layer	approx. m/min	14	15	13	18	12	8
Motor power	kW	1.8	2.2	2.2	3.5	3.5	3.5
Air pressure	bar	6	6	6	6	6	6
Air consumption	l/min	45	55	55	80	80	80
PFW-L-1D with standard speed	Order No.	H62611	H62621	H62631	H62641	H62651	H62661

TYPE	PFW-L-2D	500	750	1000	1500	2000	3000
Lifting capacity in 1st rope layer	kg	250	375	500	750	1000	1500
Rope diameter	mm	6	7	8	10	12	14
Rope length in 1st rope layer	m	20	20	20	19	18	17
Expansion every 100 mm extended drum 1st layer	approx. m	7	7	7	7	7	7
Rope speed in 1st rope layer	approx. m/min	18	19	15	22	15	9
Motor power	kW	1.8	2.2	2.2	3.5	3.5	3.5
Air pressure	bar	6	6	6	6	6	6
Air consumption	l/min	45	55	55	80	80	80
PFW-L-2D with standard speed	Order No.	H62711	H62721	H62731	H62741	H62751	H62761



Dimensions and weights

TYPE	PFW-L-1D/ PFW-L-2D	500	750	1000	1500	2000	3000
L1	approx. mm	890	980	1050	1110	1210	1275
L2	mm	460	460	500	500	570	570
B	mm	320	360	400	460	550	620
H	approx. mm	330	410	460	540	620	680
LTR	mm	190	220	250	310	370	430
DTR 1D/2D	mm	80/160	92/185	106/210	130/260	155/310	186/350
DFL	mm	190	220	250	310	370	430
LB	mm	430	430	460	460	520	520
BB1	mm	250	310	350	410	500	560
BB2	mm	-	-	220	280	320	380
DB	mm	13.5	13.5	13.5	13.5	17.5	17.5
Weight	approx. kg	50	80	105	140	230	355